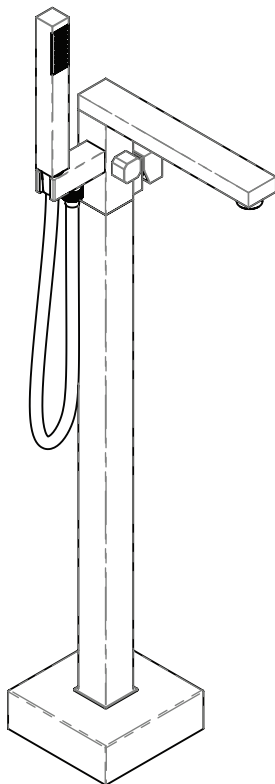


# PHYLTRICH®

Defining Luxury Since 1959



---

## INSTALLATION INSTRUCTIONS FOR

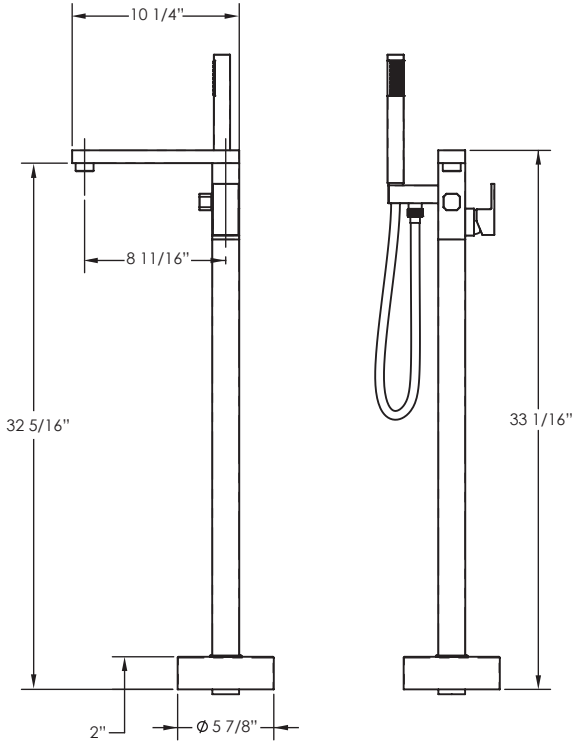
**MIX Floor Mount Tub Filler**

290-45

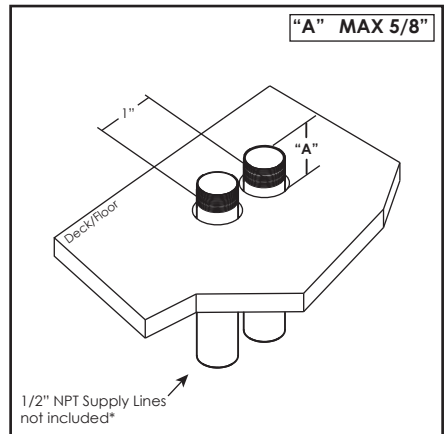
## ▪ MIX Floor Mount Tub Filler 290-45

**NOTE: BEFORE STARTING WITH THE INSTALL, DETERMINE FIRST THE LOCATION AND THE CORRECT MEASUREMENT OF THE SUPPLY LINES. USE THE SUPPLY LINE PAGE PROVIDED.**

### DIMENSIONS

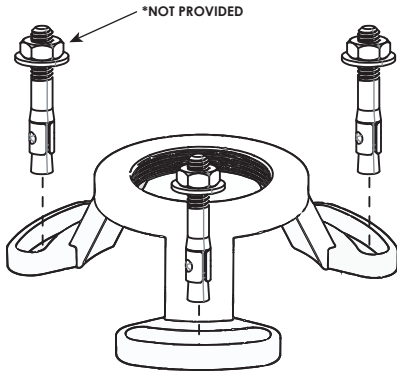


- Ensure that the supply lines protruding from finished floor is in the **MIN-MAX** area

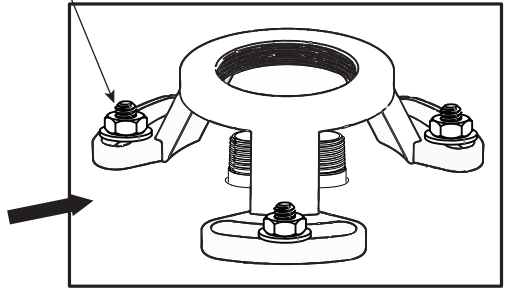


▪ **NOTE: ANCHORING HARDWARE NOT PROVIDED (SHOWN)**

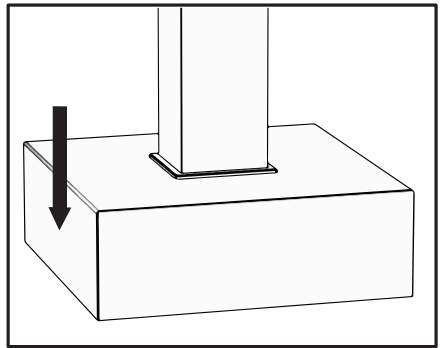
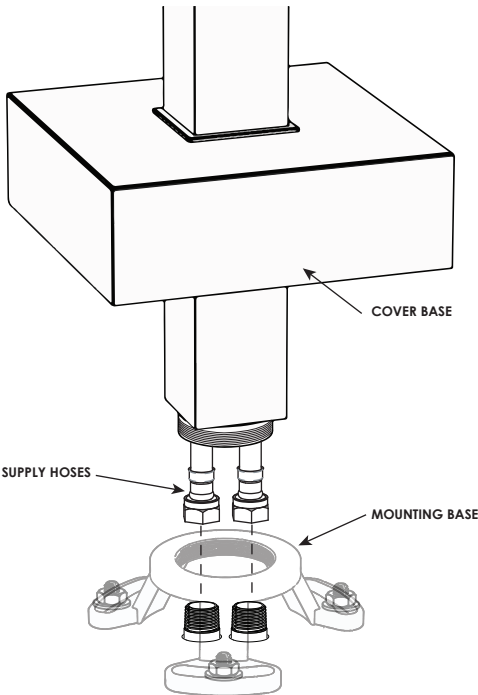
- If you are installing in "CONCRETE":
  - Anchor Bolt w/ washer - 5/16" size recommended
- If installing in "WOOD":
  - Lag screw w/ washer - 5/16" size recommended



Do not tighten until position has been determined



- Connect **Supply Hoses** to lines on floor. Then attach the Tub Filler to the mounting base, followed by sliding down the **cover base**.



# TEMPLATE (SCALE 1:1)

# PHYLIRICH®

Defining Luxury Since 1959

## MOUNTING BASE/ SUPPLY LINES

NOTE: BEFORE STARTING WITH THE INSTALL, DETERMINE FIRST THE LOCATION AND THE CORRECT MEASUREMENT OF THE SUPPLY LINES. YOU CAN USE THIS PAGE AS YOUR TEMPLATE AS IT IS THE EXACT SCALE (1:1)

